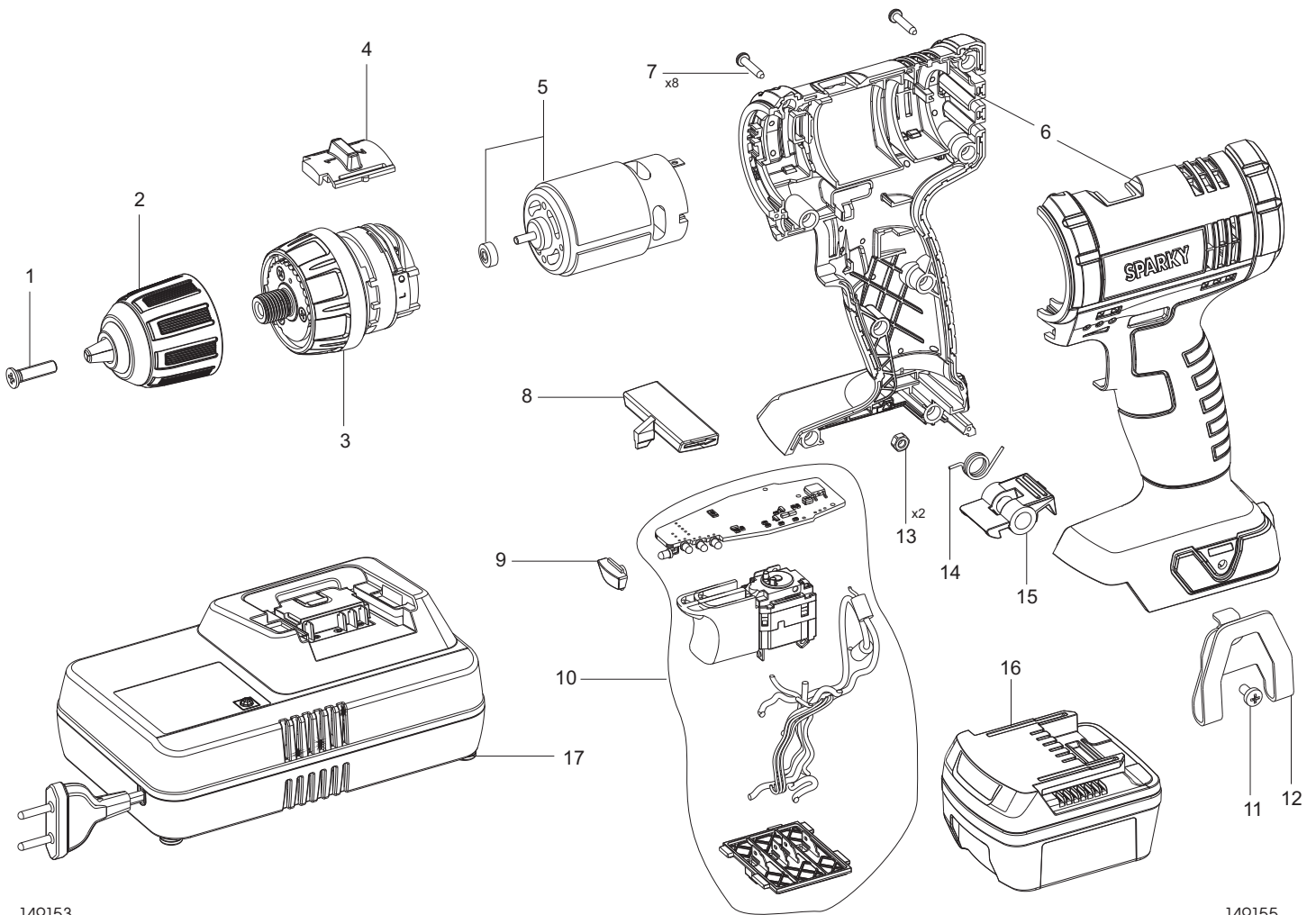


POS. No.	Ref. No.	Description	POS. No.	Ref. No.	Description
----------	----------	-------------	----------	----------	-------------

- | | | | | | |
|----|--------|-------------------------------------|--|--|--|
| 1 | 361413 | Screw M5LHX20-8.8 A3A | | | |
| 2 | 142803 | Chuck set | | | |
| 3 | 142735 | Reduktor set | | | |
| 4 | 142739 | Switch knob | | | |
| 5 | 144034 | Motor set / 18V-C HD | | | |
| 6 | 148893 | Stator set | | | |
| 7 | 361247 | Screw K3x15 TORX 10 | | | |
| 8 | 142745 | Reve ing Actuator | | | |
| 9 | 142744 | Screen | | | |
| 10 | 144035 | PCB+switch /18V/SP | | | |
| 11 | 361358 | Screw J2-M4x8-8.8 | | | |
| 12 | 142681 | Bracket | | | |
| 13 | 360149 | Nut M4 | | | |
| 14 | 142686 | Spring | | | |
| 15 | 142685 | Lock button | | | |
| 16 | 148368 | Battery pack ass'y BL 1840 | | | |
| 16 | 148364 | Battery pack ass'y BL 1820 | | | |
| 17 | 148367 | Charger.ass'y/EU (12-18V/1,5-3Ah)Li | | | |



149153

149155